

Node:

A-0

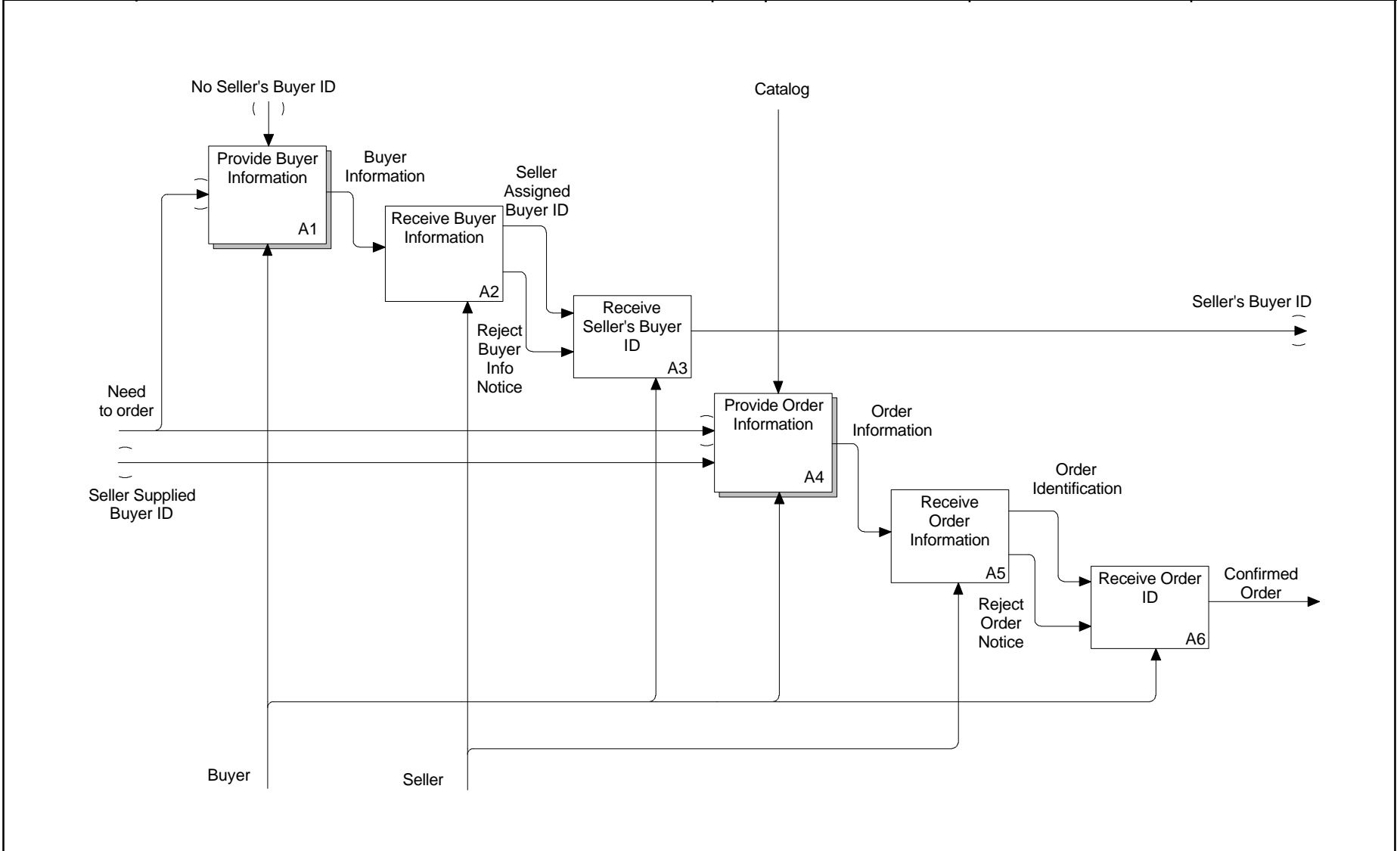
Title:

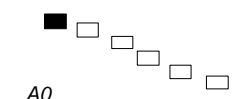
Catalog Order

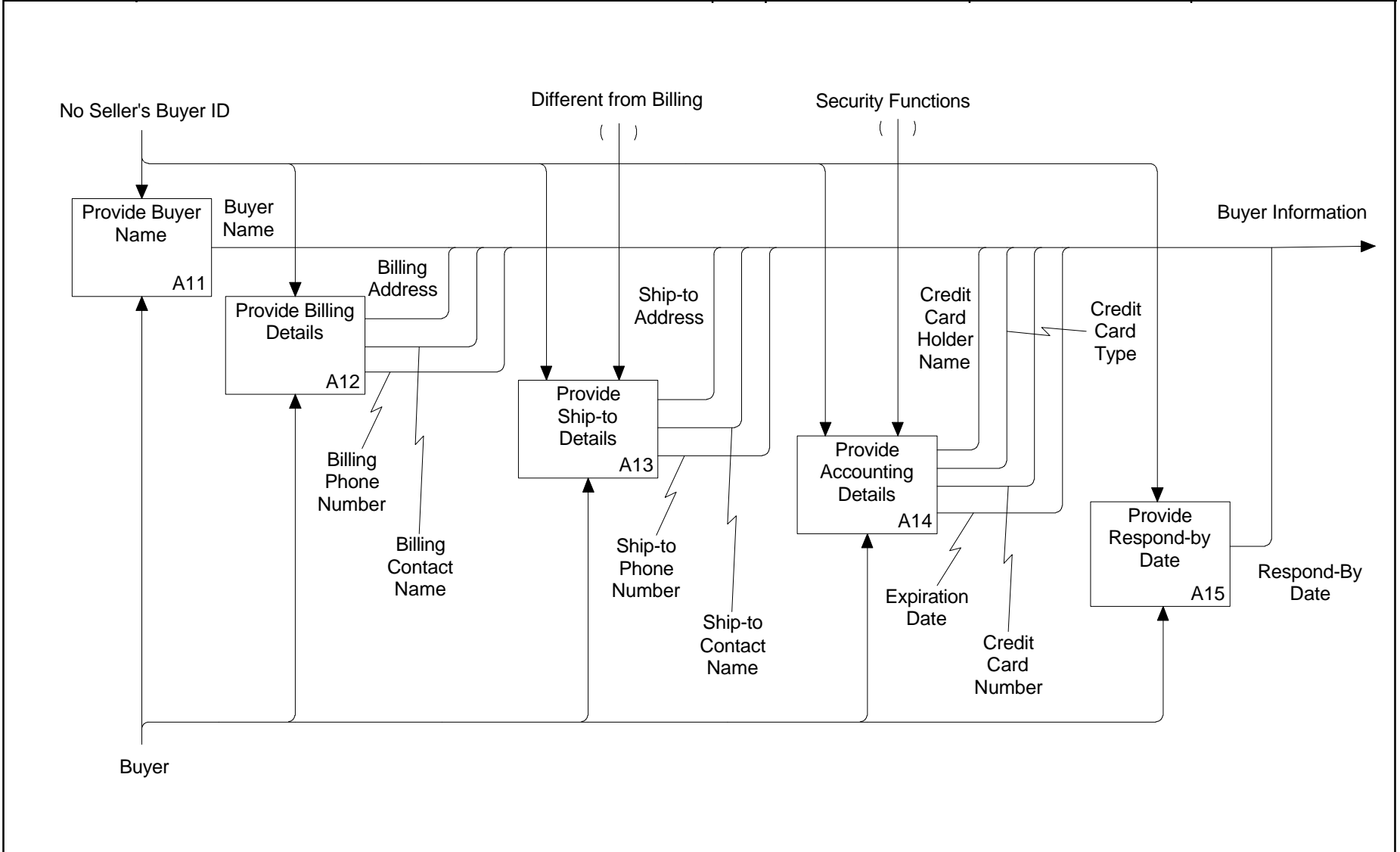
Number:

Page: 1

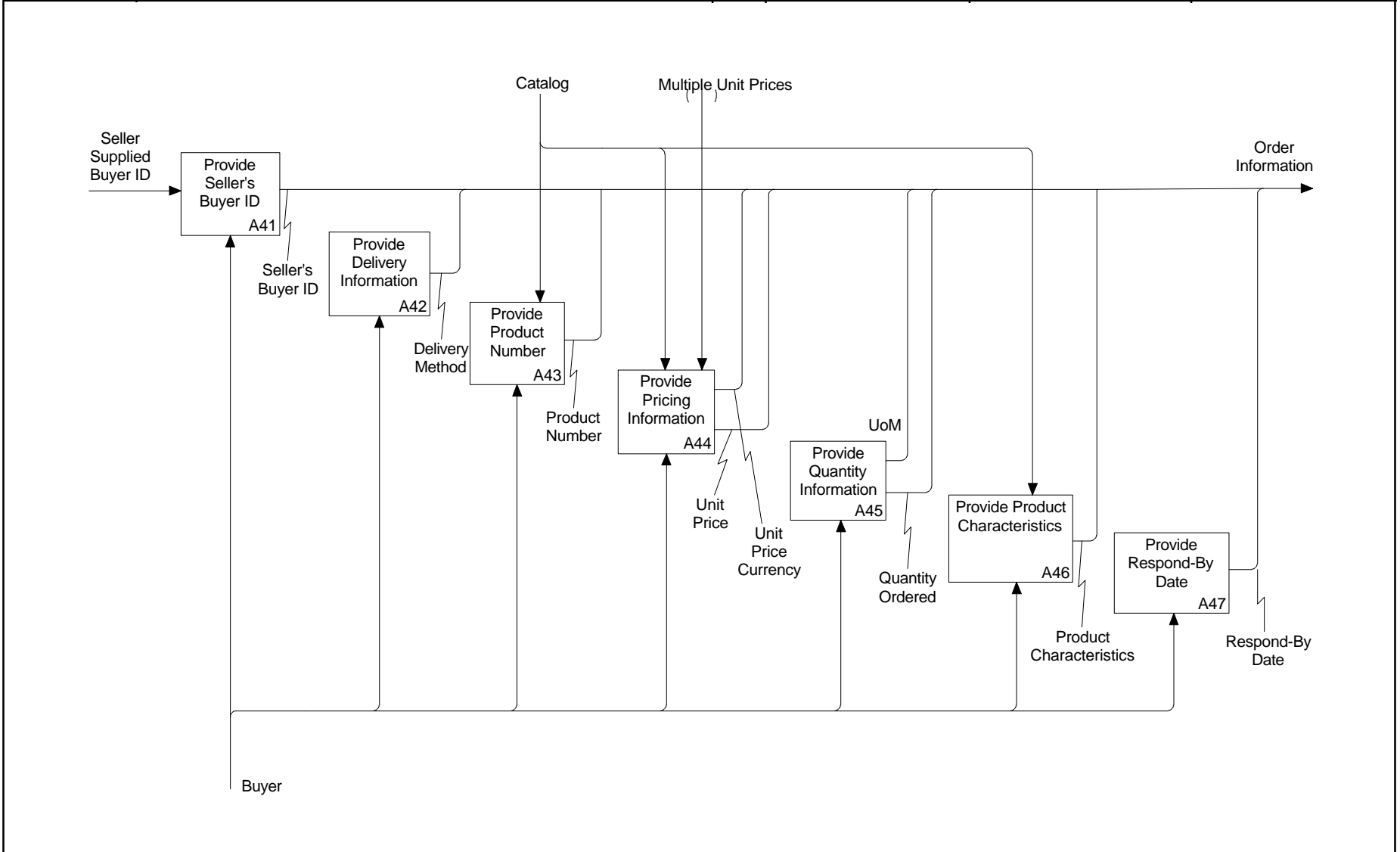
Used at:	Author: Klaus	Date: 97/04/11	WORKING	READER:	Context: TOP A-0
	Project:		DRAFT		
	Notes: 1 2 3 4 5 6 7 8 9 10	Rev: 1	RECOMMENDED		
			X PUBLICATION		
			DATE:		

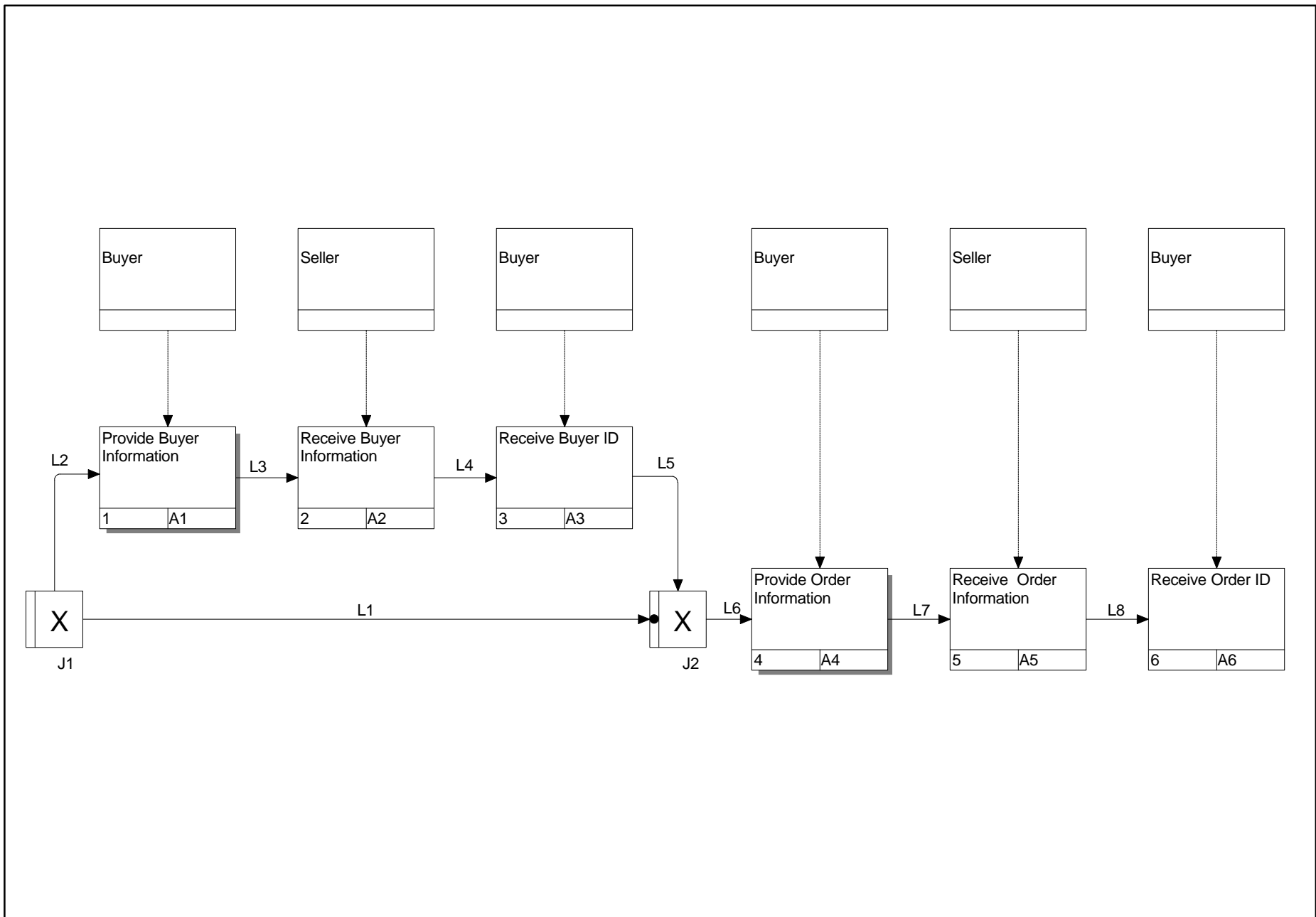


Used at:	Author: Klaus	Date: 97/04/11	WORKING	READER:	Context:  A0
	Project:	Rev: 1	DRAFT		
	Notes: 1 2 3 4 5 6 7 8 9 10		RECOMMENDED		
			X PUBLICATION		
			DATE:		



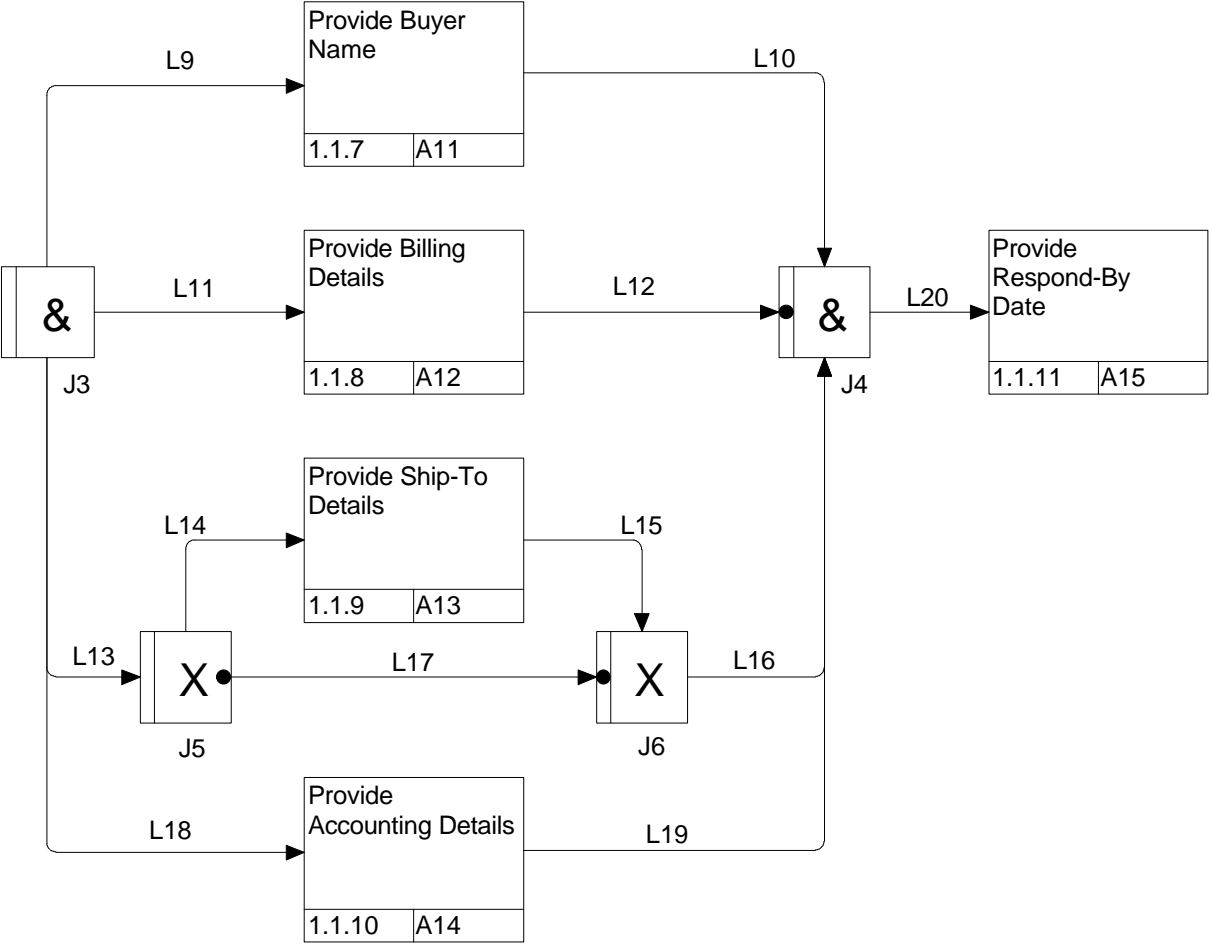
Used at:	Author: Klaus	Date: 97/04/11	WORKING	READER:	Context: <input type="checkbox"/> <input type="checkbox"/> <input type="checkbox"/> <input checked="" type="checkbox"/> <input type="checkbox"/> <input type="checkbox"/> A0
	Project:		DRAFT		
	Notes: 1 2 3 4 5 6 7 8 9 10	Rev: 1	RECOMMENDED		
			X PUBLICATION		
			DATE:		





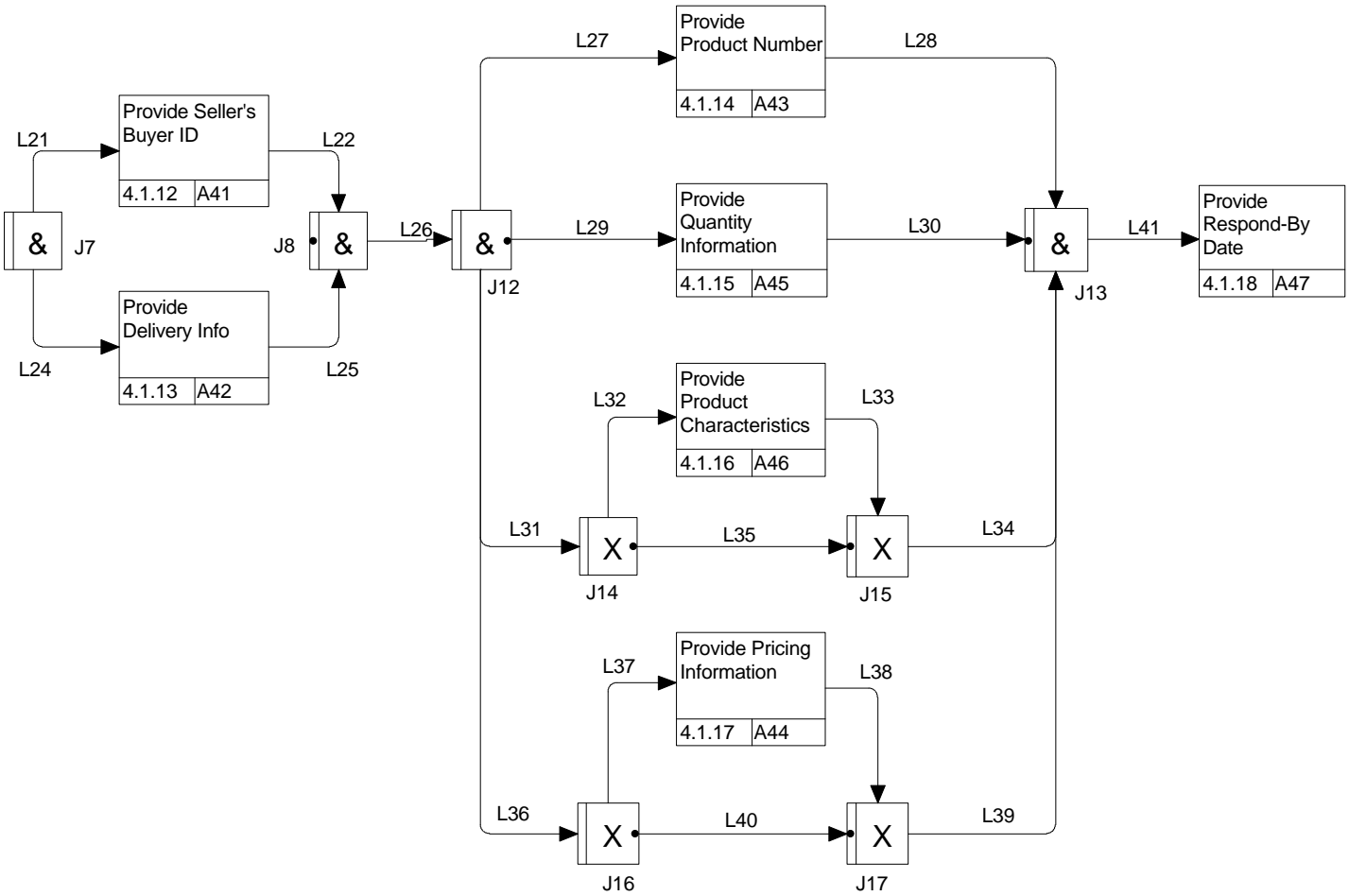
SCENARIO: "Catalog Order Example" OBJECT:	DESCRIPTION NAME: Order from Catalog	NUMBER: <table border="1" data-bbox="1801 1442 1927 1507"> <tr> <td>5</td> </tr> </table>	5
5			

USED AT:	ANALYST:	DATE: 97/04/11	WORKING	REVIEWER:	VIEW:
	PROJECT:		DRAFT		
	NOTES: 1 2 3 4 5 6 7 8 9 10	REV: 1	RECOMMENDED		
			X RELEASED		
DATE:					

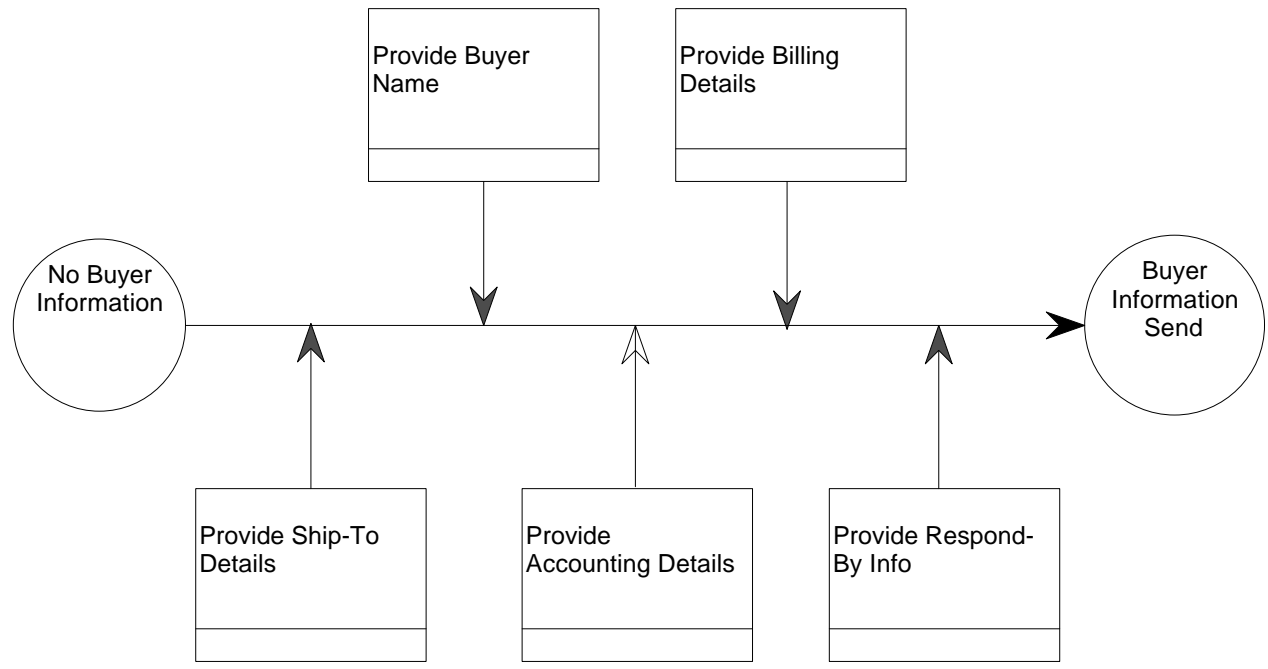


SCENARIO: "Catalog Order Example"	DESCRIPTION NAME: Provide Buyer Information	NUMBER:	6
OBJECT:			

USED AT:	ANALYST:	DATE: 97/04/11	WORKING	REVIEWER:	VIEW:
	PROJECT:		DRAFT		
	NOTES: 1 2 3 4 5 6 7 8 9 10	REV: 1	RECOMMENDED		
			X RELEASED		
			DATE:		



SCENARIO: "Catalog Order Example"	DESCRIPTION NAME: Provide Order Information	NUMBER:	7
OBJECT:			

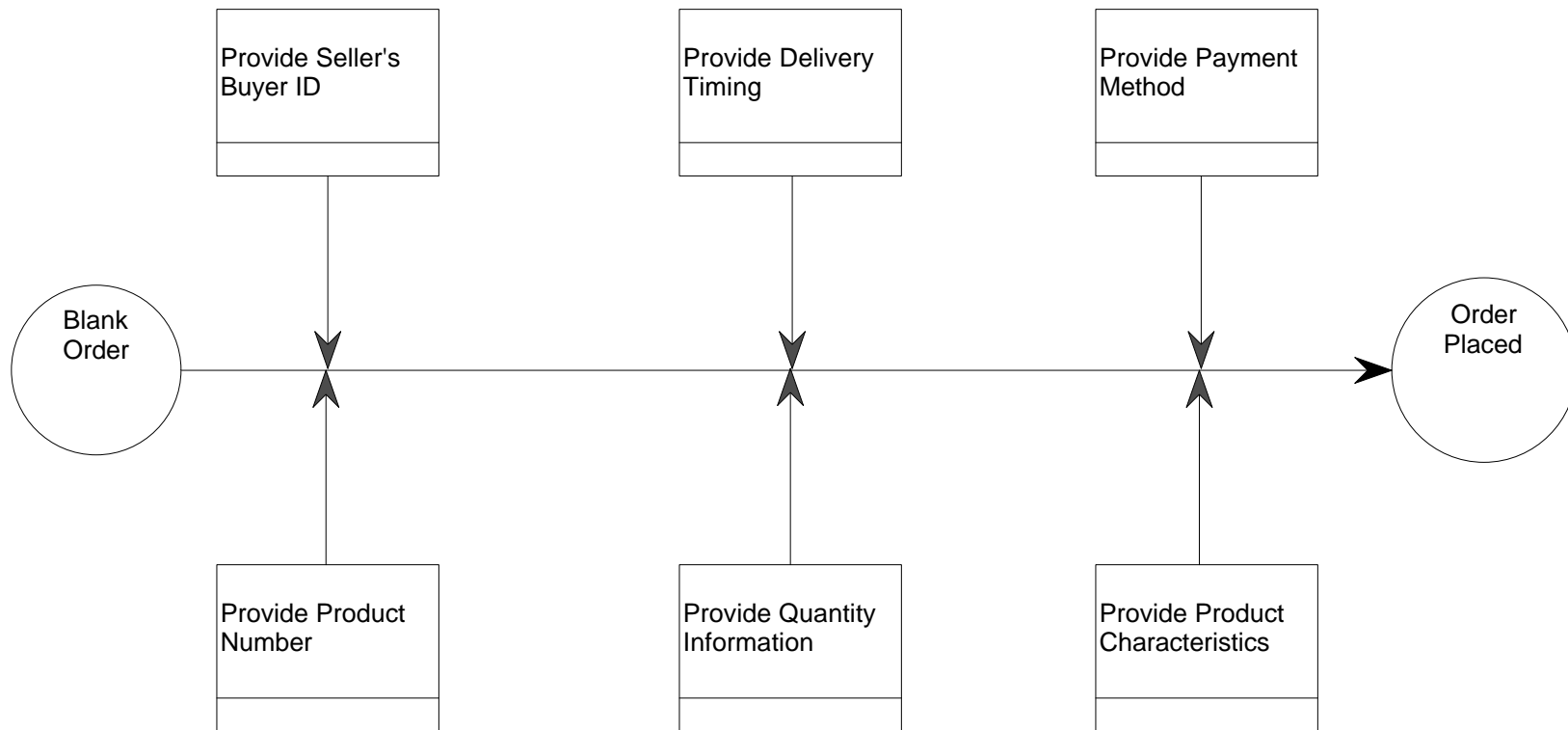


SCENARIO: "Catalog Order"
OBJECT: "Buyer Information"

DESCRIPTION NAME: Provide Buyer Information

NUMBER:

8



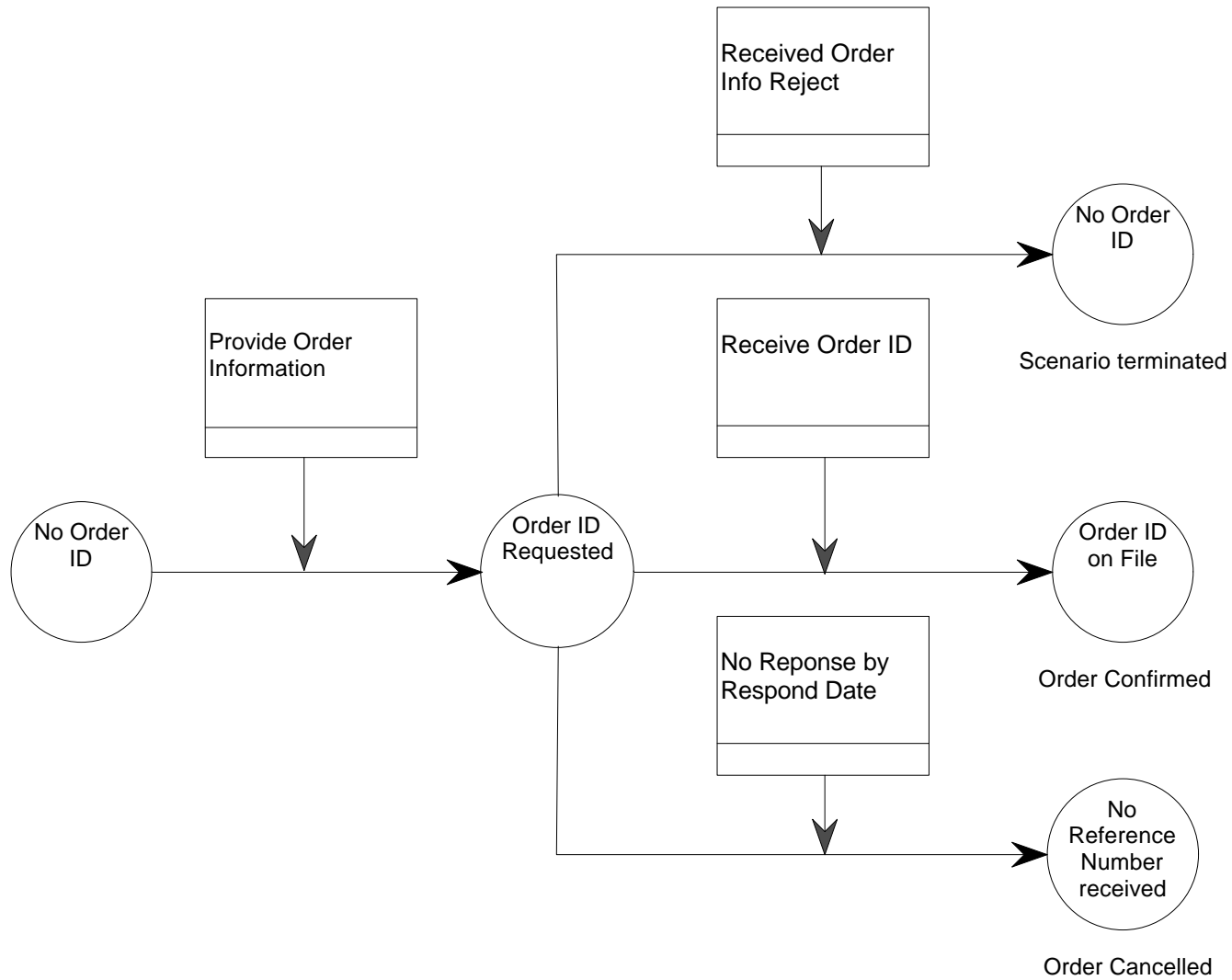
SCENARIO: "Catalog Order"

OBJECT: "Order Information"

DESCRIPTION NAME: Provide Order Information

NUMBER:

9



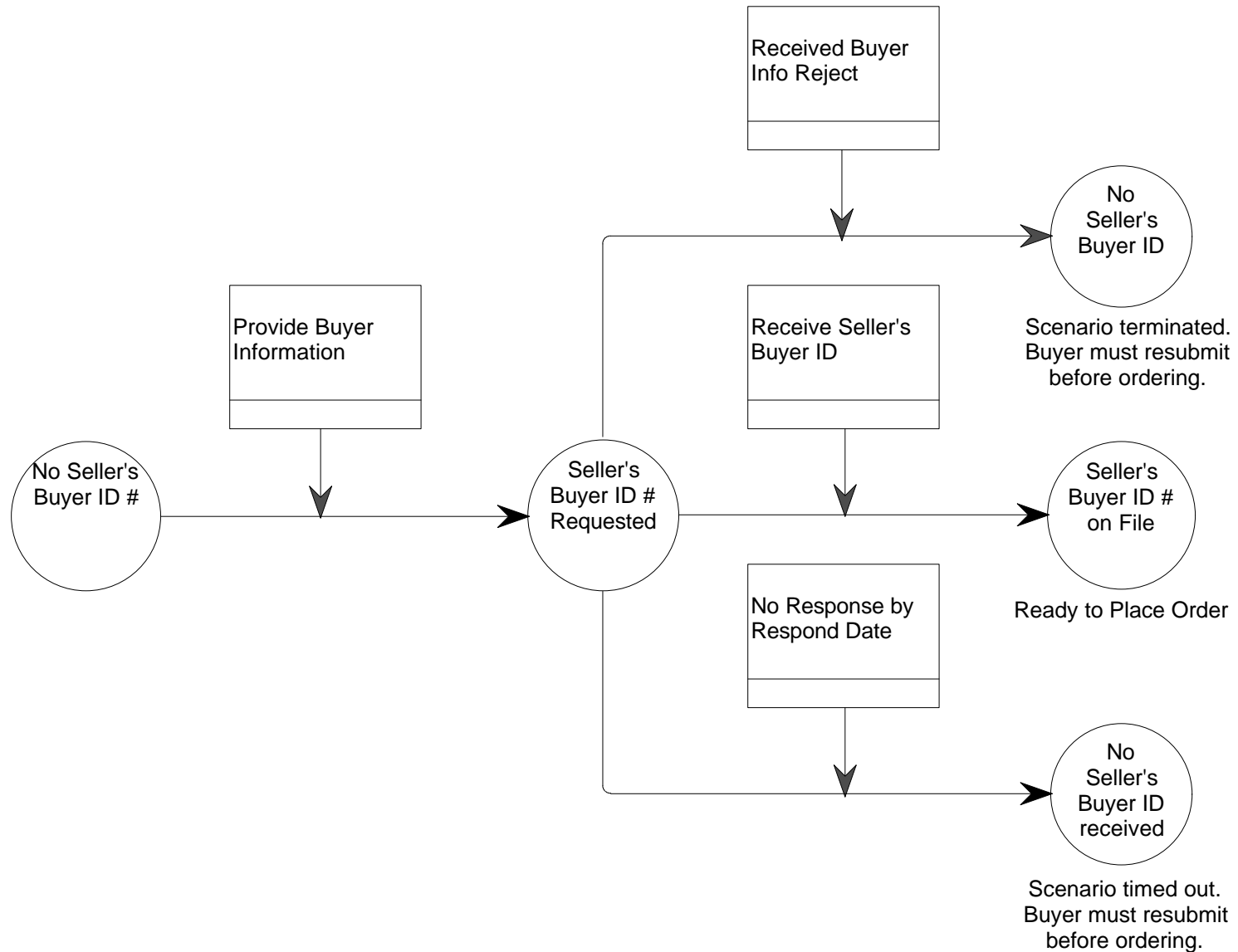
SCENARIO: "Catalog Order"

OBJECT: "Order Reference Number"

DESCRIPTION NAME: *Receive Order Reference Number*

NUMBER:

10



SCENARIO: "Catalog Order"

DESCRIPTION NAME: Receive Seller's Buyer ID

NUMBER:

OBJECT: "Seller's Buyer ID"

